

Material / Materiaal

No. / Nr.	Plan	Article / Artikel	Number / Aantal
1	Y011482	1639304	1
2	Y005659	1425701	1
3	---	1001580	1
4	Y002783	1436104	2
5	---	1001612	1
6	---	1008459	4

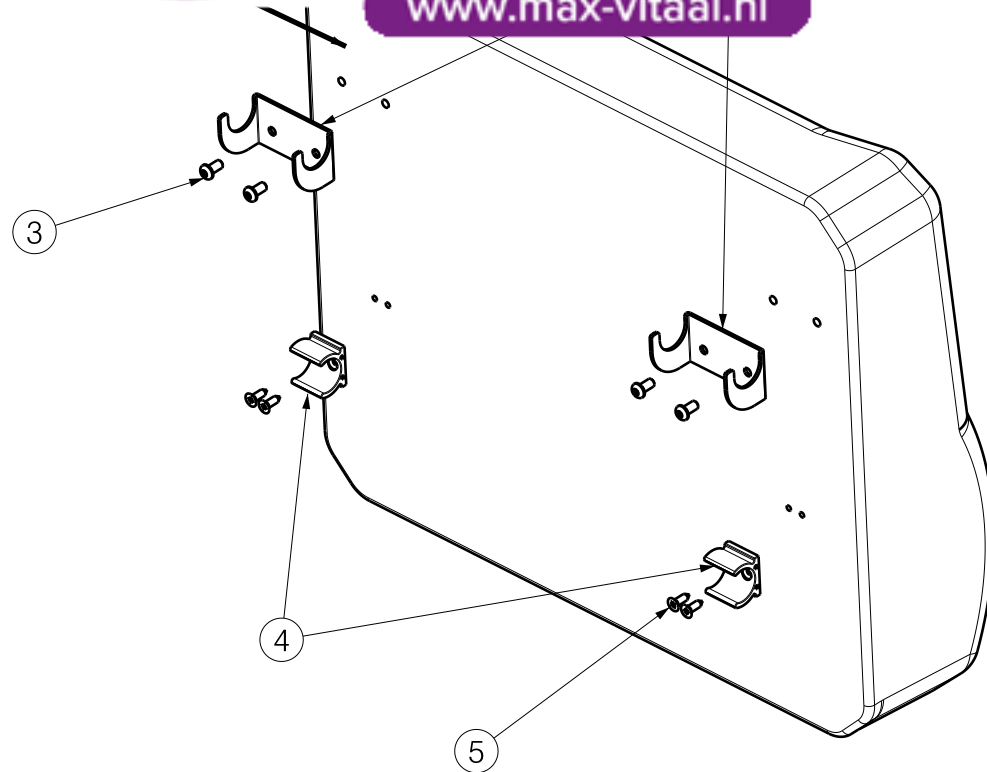
B52 TYPE COMFORT CHAIR

Plan No. / Plannr.

E000318A

Scale / Schaal: 1:4	Drafted / Getekend	Verified / Nagezien	Confirmed / Bevestigd
Date / Datum	18/09/2006	18/09/2006	18/09/2006
Init. / Init.	SD	SD	PJ





Material			
No.	Plan	Article	Quantity
1	C32 JAUNE MIRABELLE	1998696	1
	C33 BLEU LAVANDE	1998697	1
	C34 CITROUILLE	1998698	1
	C35 VERT AMANDE	1998699	1
	C36 ROUGE MORGON	1998700	1
	C37 BLEU NUIT	1998701	1
	C38 MARRON CHATAIGNE	1998702	1
	C39 VERT BASILIC	1998703	1
	C40 TISSUS BLEU	1999974	1
	C41 TISSUS ROUGE	1999975	1
	*	C32H JAUNE MIRABELLE	1999856
C33H BLEU LAVANDE		1900062	1
C34H CITROUILLE		1999857	1
C35H VERT AMANDE		1902003	1
C36H ROUGE MORGON		1901829	1
C37H BLEU NUIT		1902004	1
C38H MARRON CHATAIGNE		1998866	1
C39H VERT BASILIC		1901934	1
C40H TISSUS BLEU		1907708	1
C41H TISSUS ROUGE		1908416	1
2		YP00717	18218
3	M6x12 ISO 7380-1	1007000	4
4	XP00106	2990072	2
5	3,9x16 DIN7982	1005767	4

*- Optional, without stitches (H)

EXPLODED VIEW SEAT F-REPO				Plan No. / Plannr.
				E000236/D
Scale / Schaal: 1:5	Drafted / Getekend	Verified / Nagezien	Confirmed / Bevestigd	
Date / Datum	06/06/2005	30/08/2019	30/08/2019	
Init. / Init.	RM	DB	TK	

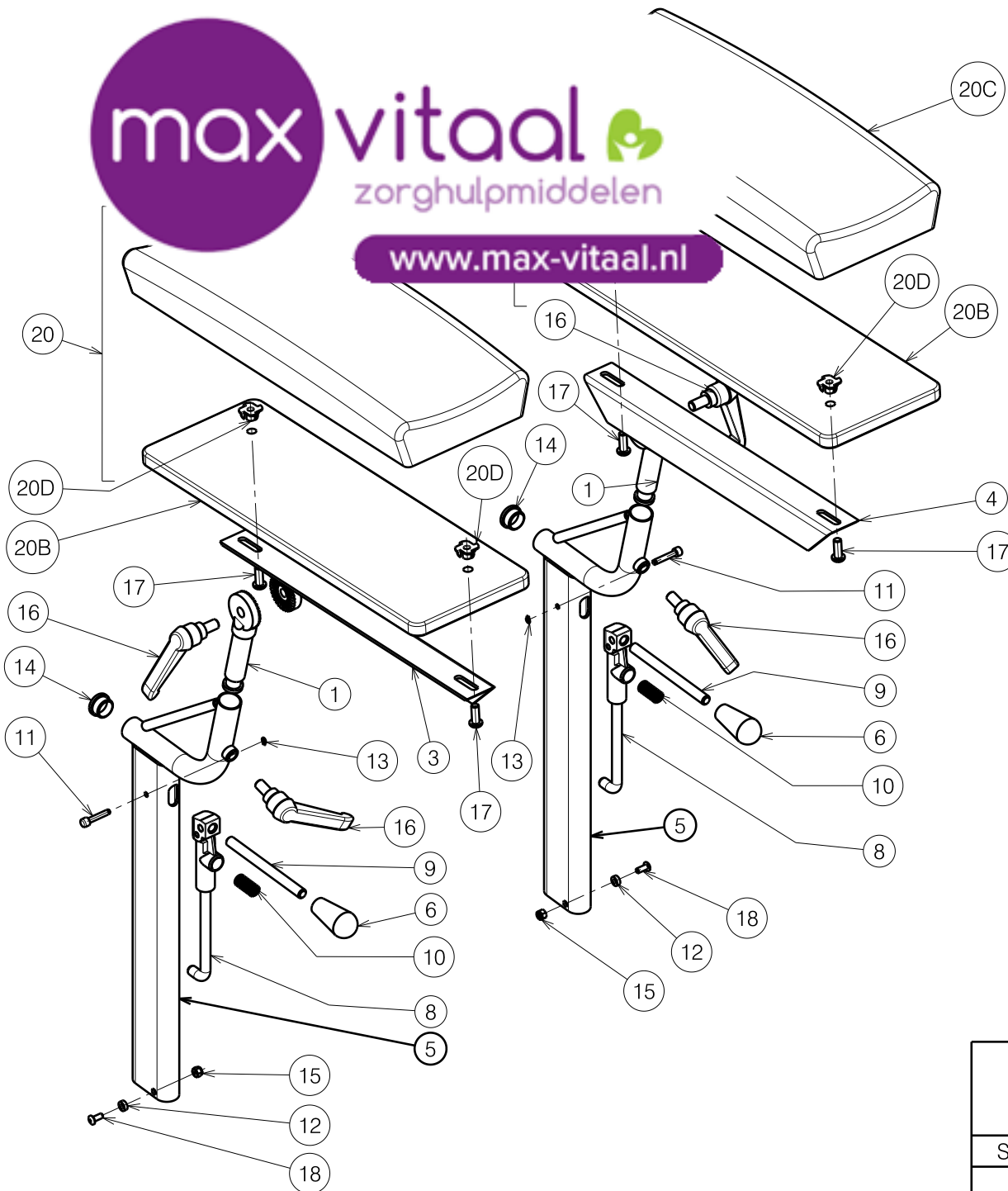


Material			
No.	Plan	Article	Quantity
1	YP00908	1835282	1
2	Y000928	1837482	2
3	---	1005767	10
4	---	1994231	2
5	C32	1914887	1
	C33	1914888	1
	C34	1914889	1
	C35	1914890	1
	C36	1914869	1
	C37	1914891	1
	C38	1914892	1
	C39	1914893	1
	C40	1914894	1
	C41	1914895	1
6	YP00909	18353	2
7	---	1003199	4
8	---	1001682	4
9	---	1992349	4
10	---	1001610	4

E000280/D

EXPLOSION FOOTREST STOOL COMFORT CHAIR			Plan No. / Nr.rys.
RYSUNEK ZESTAWIENIOWY PUFA FOTELE WYPOCZYNKOWEGO			E000280/D
Scale / Skala: 1:5	Drafted / Rysował	Verified / Sprawdzil	Confirmed / Zatwierdzil
Date / Data	17/03/2006	19/06/2019	08/02/2008
Init. / Inic.	MF	DB	TK





Material			
No.	Plan	Article	Quantity
1	Y011619	1643500	2
3	Y015605	1721882	1
4	Y015621	1721782	1
5	Y015658	1721501	2
6	---	1998407	2
8	X004559	1904586	2
9	XP00176	1824100	2
10	XC00423	3991837	2
11	XP00180	1824500	2
12	XP00192	1826100	2
13	XP00297	2990125	2
14	---	1001602	2
15	---	1001678	2
16	---	1904866	4
17	---	1008459	4
18	---	1900952	2
20	---	1902015 (32)	2
		1902016 (33)	2
		1902017 (34)	2
		1902018 (35)	2
		1902019 (36)	2
		1902020 (37)	2
		1902021 (38)	2
		1902022 (39)	2

Note 1: (XX) Colour code

Note 2: 20A not depicted

1904660

DONOR ARMREST COMFORT CHAIR 2009

Sheet 1/2

Plan Number

E000576/J

Scale: 1:5

Drafted

Verified

Confirmed

Date

23/07/2009

16/11/2020

16/11/2020

Initials

SD

SD

PJ



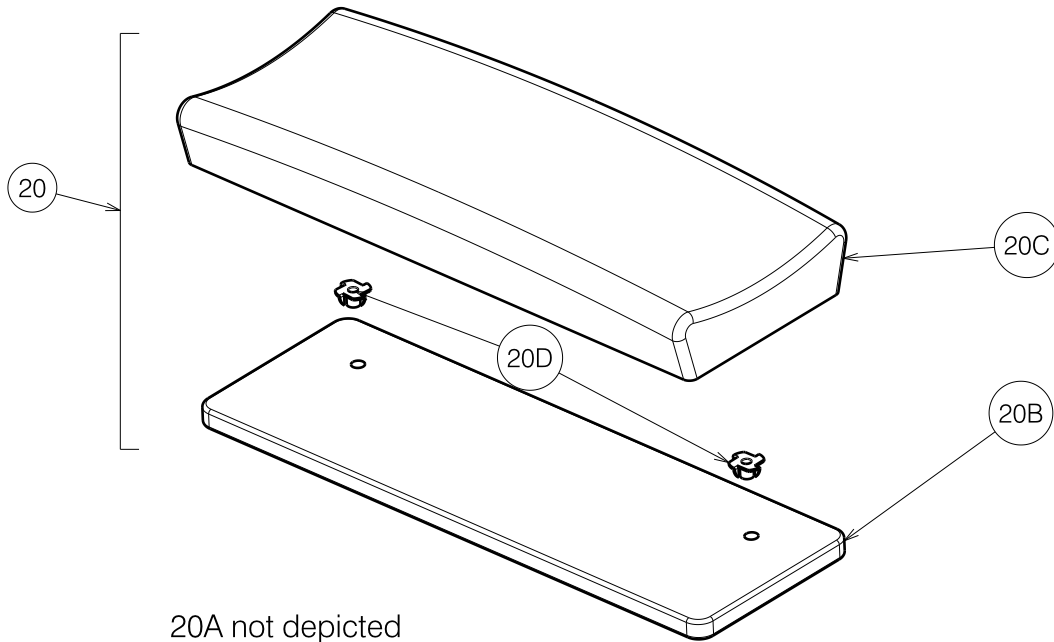


www.max-vitaal.nl

20C
20D

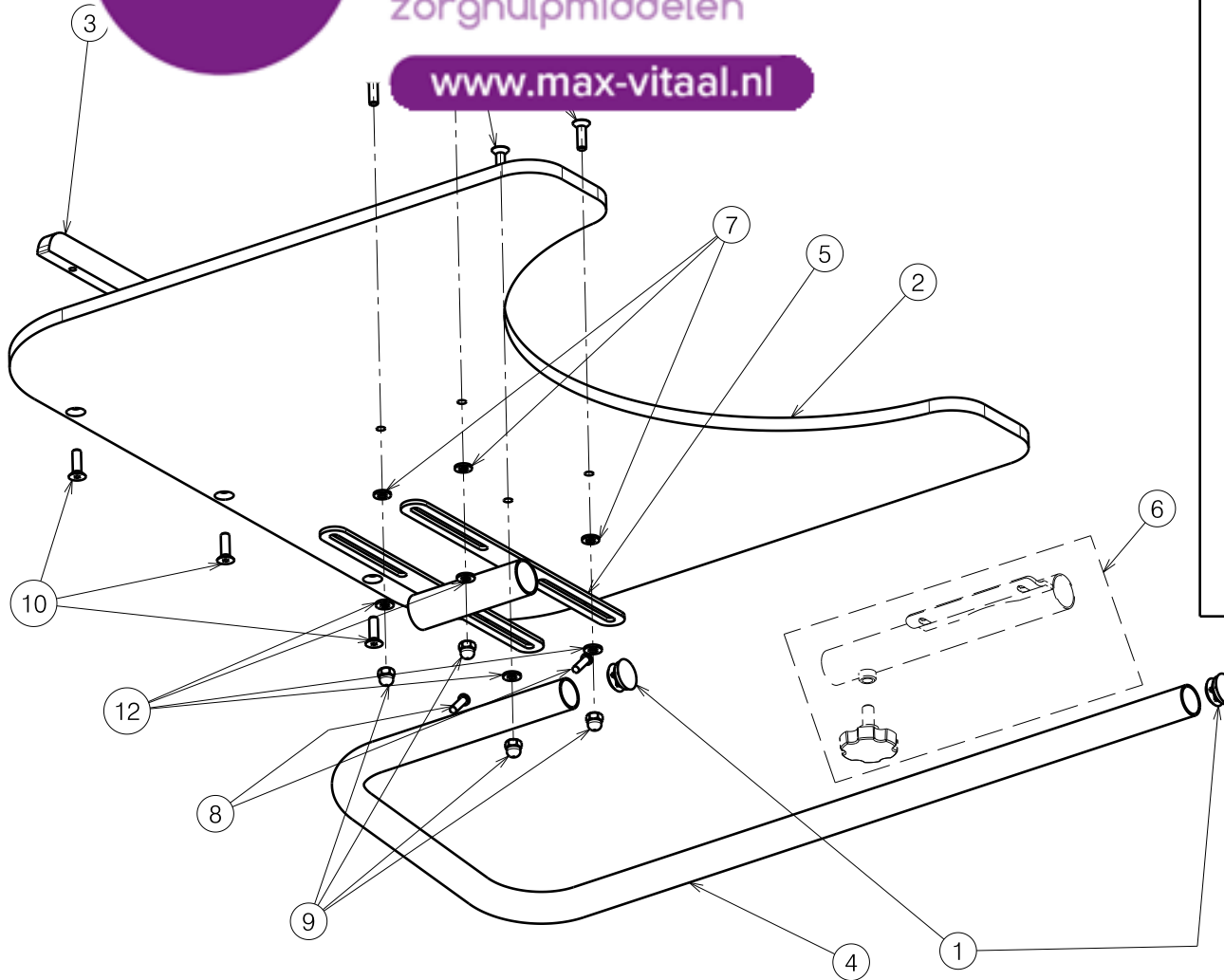
Upholstery Material							Quantity
34	35	36	37	38	39		
Article							
1902017	1902018	1902019	1902020	1902021	1902022	2	
1998125	1998126	1998127	1998128	1998129	1998130	2	
H7618							2
1904736							2
1992516							4

Quantities are for one pair



1904660

DONOR ARMREST COMFORT CHAIR 2009				Plan Number
Sheet 2/2				E000576/J
Scale: 1:5	Drafted	Verified	Confirmed	
Date	23/07/2009	16/11/2020	16/11/2020	
Initials	SD	SD	PJ	



Material				
No.	Plan	Article	Quantity	Model/Seat width
1	X001101	1001605	2	
2	X004746	1905771	1	39 / 42
	X004753	1905796	1	44/46/48/50 Inovys II 40/45
	X004754	1905797	1	53 / 56 Inovys II 50
	X004790	1905942	1	60
3	X004791	1905943	1	39 / 42
	X004792	1905944	1	44/46/48/50 Inovys II 40/45
	X004793	1905945	1	53 / 56 Inovys II 50
	X004794	1905946	1	60
4	Y002759	1217101	1	
5	Y011782	1678501	1	
6*	---	P000025	1	
7	M6 DIN125A	1000973	4	
8	---	1001589	4	
9	M6x12	1008492	4	
10	M6X20 DIN7991	1903081	7	
12	M6 DIN125A	1001564	4	

* For attachment B13 refer to P000025

E000633 / L

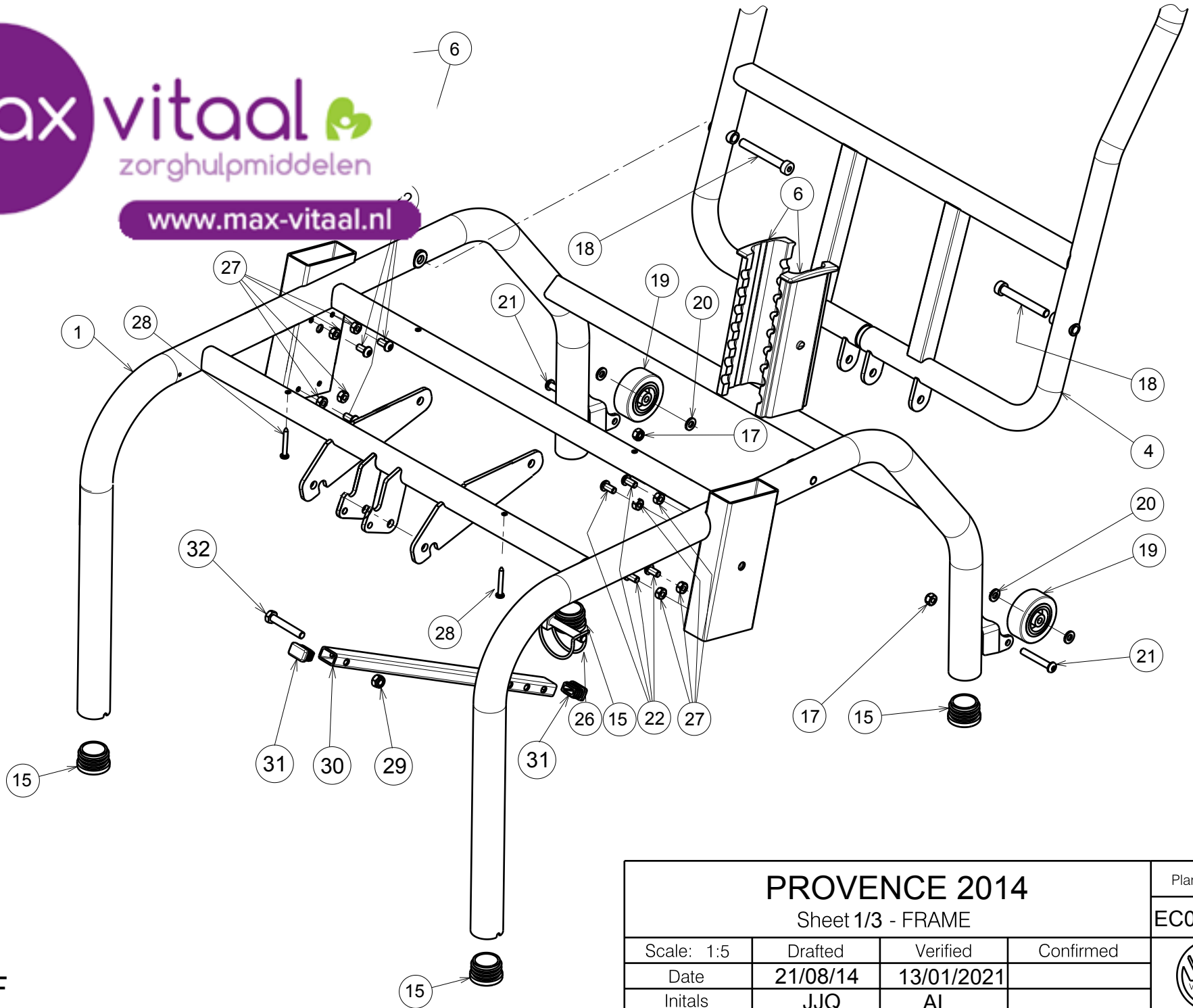
B15 PLEXI TABLE MANUAL WHEELCHAIRS

Plan No. / Plannr.


E000633 / L

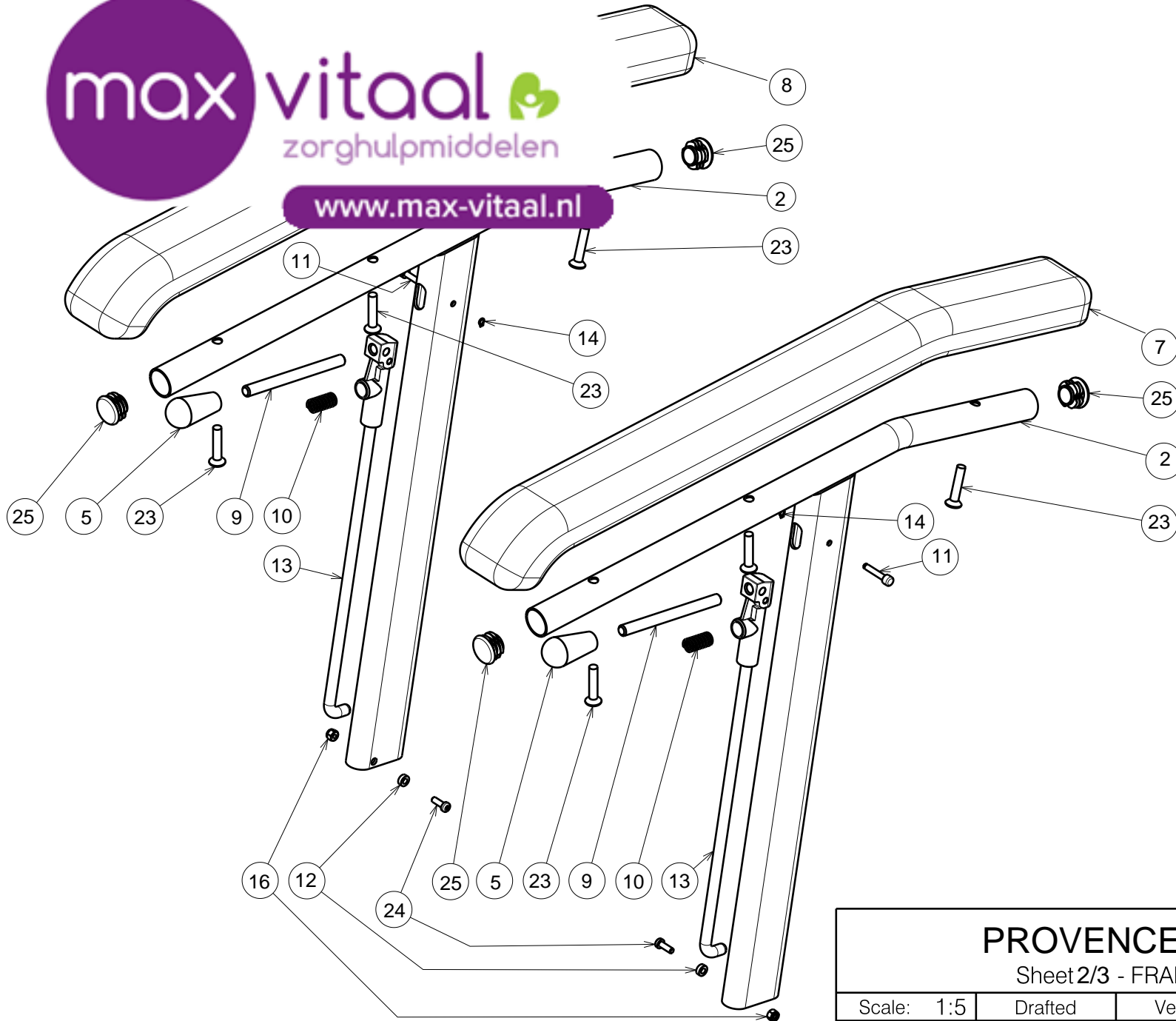
Scale / Schaal: 1:5	Drafted / Getekend	Verified / Nagezien	Confirmed / Bevestigd
Date / Datum	26/07/2010	31/03/2020	31/03/2020
Init. / Init.	DD	SD	PJ






EC00236/F

PROVENCE 2014				Plan Number
Sheet 1/3 - FRAME				EC00236/F
Scale: 1:5	Drafted	Verified	Confirmed	
Date	21/08/14	13/01/2021		
Initials	JJQ	AL		



EC00236/F

PROVENCE 2014 Sheet 2/3 - FRAME				Plan Number
				EC00236/F
Scale: 1:5	Drafted	Verified	Confirmed	
Date	21/08/14	13/01/2021		
Initials	JJQ	AL		



www.max-vitaal.nl

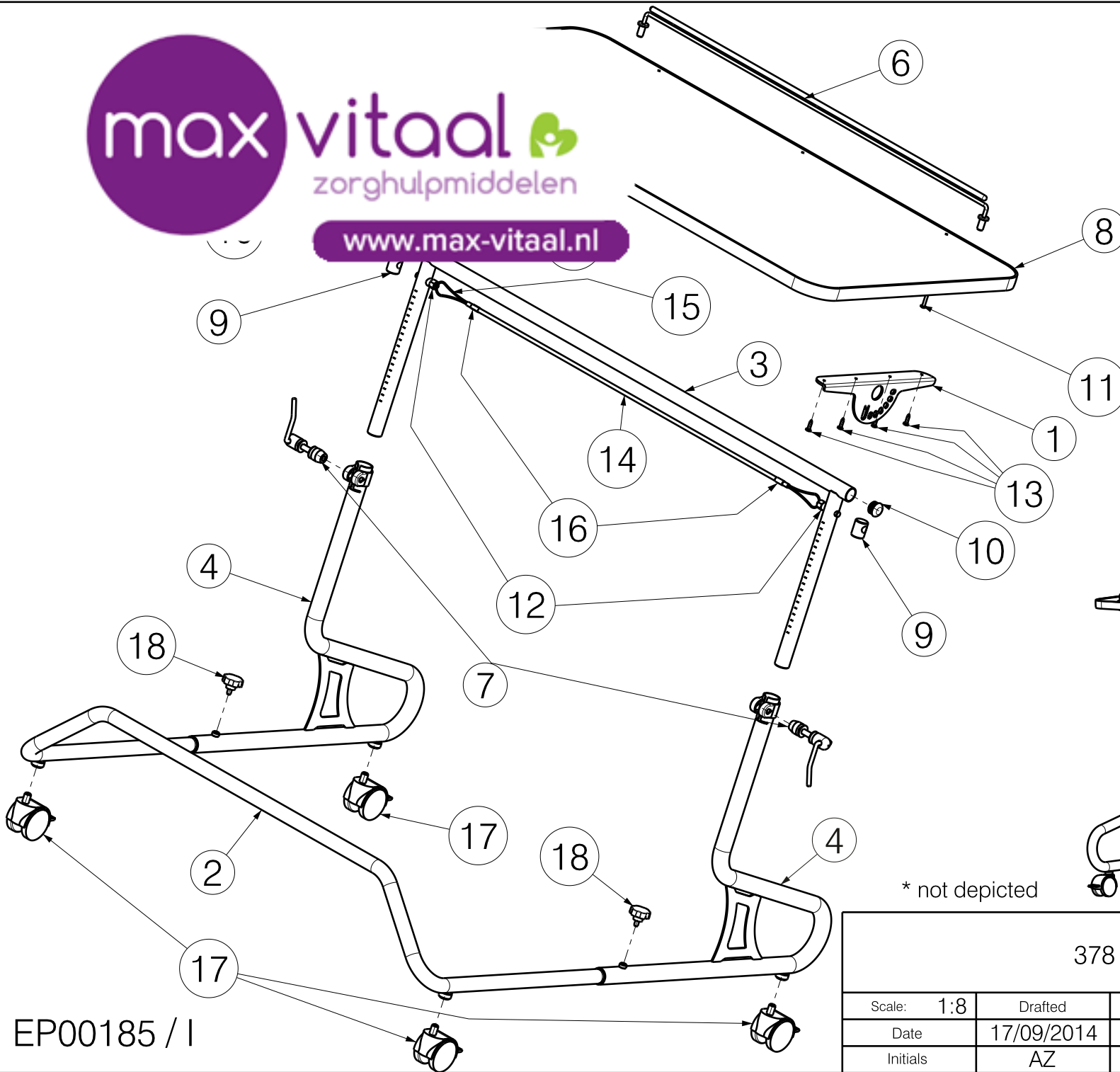
Bill of material

			Quantity	No.	Plan	Article	Quantity
			1	28	---	1003022	2
			2	29		1001682	1
				30		1832482	1
			1	31		1001616	2
			2	32		1001446	1
			4	33			
			1	34			
8	XP00178	2990117	1	35			
9	XP00176	1824100	2	36			
10	XC00423	3991837	2	37			
11	XP00180	1824500	2	38			
12	XP00192	1826100	2	39			
13	XP00208	2990139	2	40			
14	XP00297	2990125	2	41			
15	---	1001610	4	42			
16	---	1001678	2	43			
17	---	1001680	3	44			
18	---	1997781	2	45			
19	---	1003277	2	46			
20	---	1001564	2	47			
21	---	1006111	2	48			
22	---	1007000	8	49			
23	---	1007954	6	50			
24	---	1900952	2	51			
25	---	1990648	4	52			
26	---	1993594	1	53			
27		1001670	8				

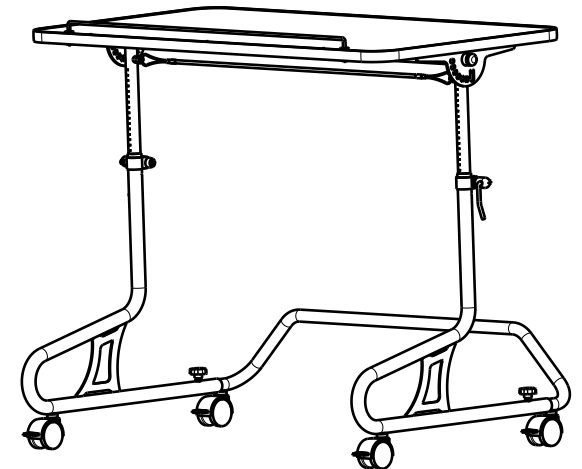
* Not mounted, delivered separately

EC00236/F

PROVENCE 2014				Plan Number
Sheet 3/3 - FRAME				EC00236/F
Scale: 1:5	Drafted	Verified	Confirmed	
Date	21/08/14	13/01/2021		
Initials	JJQ	AL		




Material			
No.	Plan	Article	Quantity
1	YP04629	2893700	1
2	YP04651	2893938	1
3	YP04643	2894000	1
4	YP04654	2894238	2
5	YP04666	2893800	1
6	XP01451	2705900	1
7	---	1992400	2
8	XP01135	2992936	1
9	XP01146	2894300	2
10	---	1990648	2
11	M4x22	2993122	3
12	---	2990455	2
13	D4x16	1003021	8
14	---	1003279	0,4[m]
15	---	1992149	1
16	---	H005006	0,1[m]
17	---	1908666	4
18	Starknob M6x10	1003658	2
19*	---	2991192	2
20*	Box 720x590x970	U000245	1



* not depicted

EP00185 / I

378 TABLE				Plan No.
				EP00185 / I
Scale: 1:8	Drafted	Verified	Confirmed	
Date	17/09/2014	28/01/2019	28/01/2019	
Initials	AZ	AZ	TK	

				Old article	Old plan number
A	B02 V-series	www.max-vitaal.nl	2000734	1785254	Y019321
	B03 V-series			1739854	Y016846
				1739854	Y016846
B	B05 V-series	1785254	Y019321	1758854	Y017854
	B04 V-series			1758854	Y017854
	Timix GT			---	---
	Timix / Forest 3			---	---
	Inovys			---	---
	Navix			1669954	Y012236
	Forest / Express			1671554	Y012536
	Ascend			1671554	Y012536
EZ-1	1671554	Y012536			
C	B02 708D	1779054	Y018970	1381504	Y002529
	B03 708D			1378304	Y002524
	B02 Eclips			1553654	Y005617
	B03 Eclips			1553954	Y005627
D	B05 708D	1548354	Y005478		
	B05 Eclips				
E	Serenys	1608254	Y007792		
	Serenys 917*	1662354	---		
	Alesia	1690374	Y014119		
	Comfort chair	1671982 / 1672082	Y012628 Y012629		
F	B04 V-series	2019454	Y021909		
	B15 V-series				

* Not depicted

Eclips X4 kids -- E000911; Forest Kids / Springer -- E000912

Wooden table: E000538

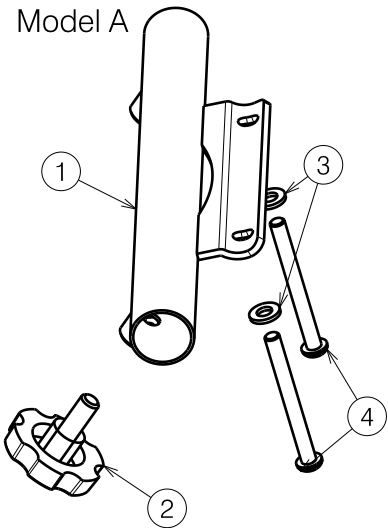
Plexi table manual wheelchair: E000633

Plexi table electro: E000744

Plastic table B15A: EP00190

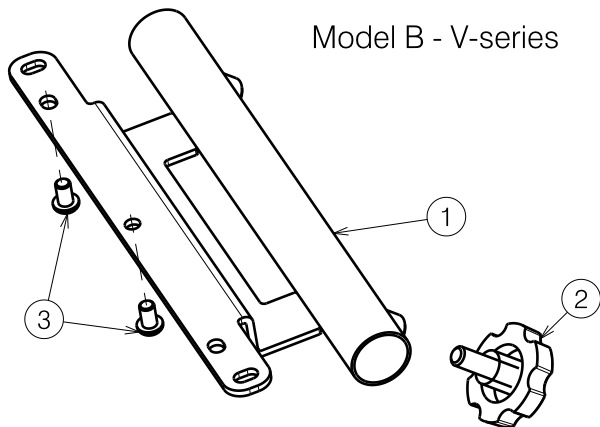
UNIVERSAL B13 2013				Plan No.
				P000025 / E
Scale: 1:8	Drafted	Verified	Confirmed	
Date	20/03/2013	26/09/2017	26/09/2017	
Initials	SD	SD	PJ	

No. /
1
2
3
4



Model A

*For B15A table (EP00190) double the quantity



Model B - V-series

Material / Materiaal - Model B V-series			
No. / Nr.	Plan	Article / Artikel	Quantity / Aantal*
1	Y019321	1785254	1
2	M8x16	2990024	1
3	M6x10	1900641	2

*For B15A table (EP00190) double the quantity

Material / Materiaal - Model B Electro / Inovys			
No. / Nr.	Plan	Article / Artikel	Quantity / Aantal*
1	Y019321	1785254	1
2	M8x16	2990024	1
3A	M6x16	1008459	2
3B	M6x20	1006999	2
3C	M6x30	1900641	2
3D	M6x60	1992915	2

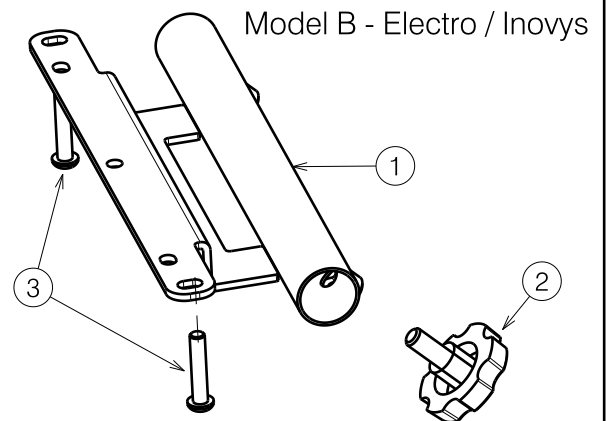
*For B15A table (EP00190) double the quantity

3A: Timix GT / Timix / Forest 3

3B: EZ1

3C: Inovys / Navix

3D: Ascend / Forest / Express



Model B - Electro / Inovys

UNIVERSAL B13 2013				Plan No.
				P000025 / E
Scale: 1:3	Drafted	Verified	Confirmed	
Date	20/03/2013	26/09/2017	26/09/2017	
Initials	SD	SD	PJ	

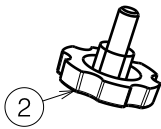


Material / Materiaal - Model C 708D		
	Article / Artikel	Quantity / Aantal*
16	1739854	1
16	2990024	1
M6x35 DIN966	1009803	2

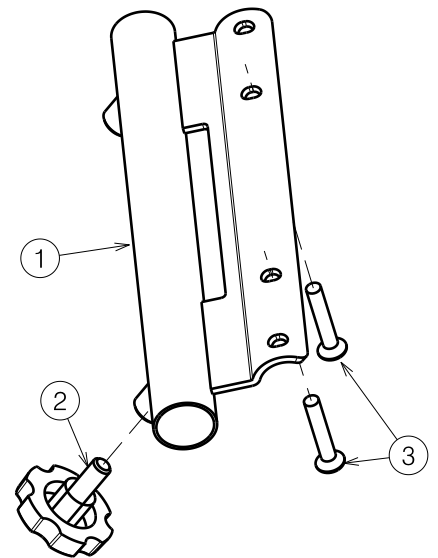


www.max-vitaal.nl

*For B15A table (EP00190) double the quantity



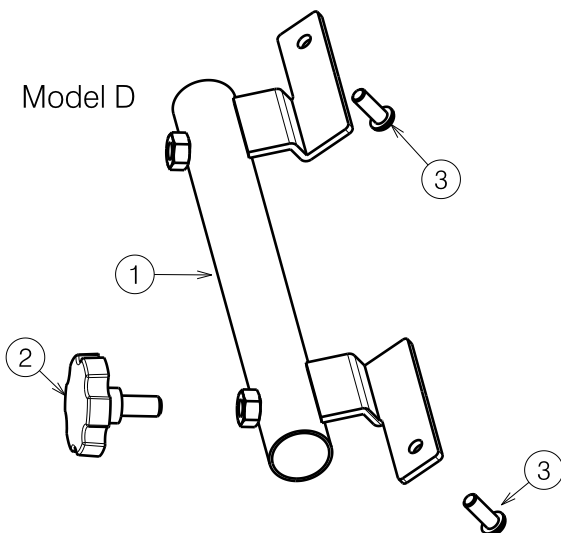
Model C - Eclips / Jazz



Material / Materiaal - Model C Eclips / Jazz			
No. / Nr.	Plan	Article / Artikel	Quantity / Aantal*
1	Y021062	2008754	1
2	M8x16	2990024	1
3	M6x35 DIN966	1003903	2

*For B15A table (EP00190) double the quantity

Model D



Material / Materiaal - Model D			
No. / Nr.	Plan	Article / Artikel	Quantity / Aantal*
1	Y019321	1785254	1
2	M8x16	2990024	1
3	M6x16	1008459	2

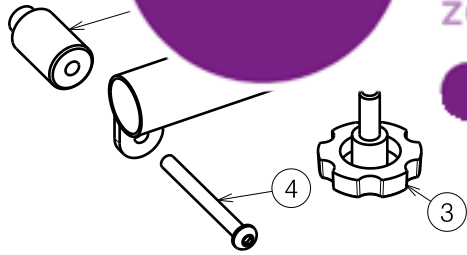
*For B15A table (EP00190) double the quantity

UNIVERSAL B13 2013				Plan No.
				P000025 / E
Scale: 1:3	Drafted	Verified	Confirmed	
Date	20/03/2013	26/09/2017	26/09/2017	
Initials	SD	SD	PJ	

Model



www.max-vitaal.nl



Material / Materiaal - Model E Serenys

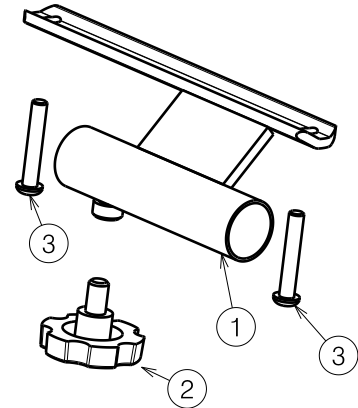
	Article / Artikel	Quantity / Aantal*
92	1608254	1
4	1996908	2
0	1001580	1
0	1992915	2

table (EP00190) double the quantity

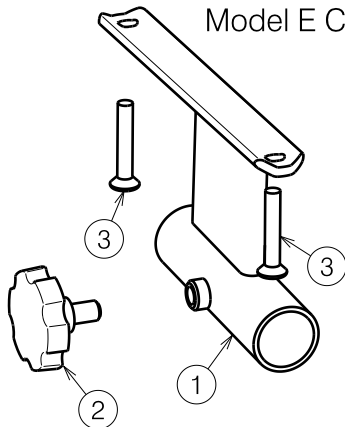
Material / Materiaal - Model E Alesia			
No. / Nr.	Plan	Article / Artikel	Quantity / Aantal*
1	Y014119	1690374	1
2	M8x12	1999934	1
3	M6x35	1006057	2

*For B15A table (EP00190) double the quantity

Model E - Alesia



Model E Comfort chair



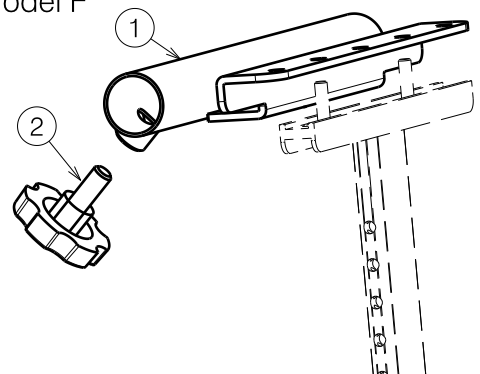
Material / Materiaal - Model E Comfort chair			
No. / Nr.	Plan	Article / Artikel	Quantity / Aantal*
1	Y012628 (L)	1671982	1
	Y012629 (R)	1672082	1
2	M8x12	1999931	2
3	M6x35 DIN966	1003903	2

*For B15A table (EP00190) double the quantity

Material / Materiaal - Model F			
No. / Nr.	Plan	Article / Artikel	Quantity / Aantal*
1	Y019321	1785254	1
2	M8x16	2990024	1

*For B15A table (EP00190) double the quantity

Model F

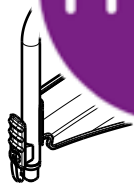


UNIVERSAL B13 2013				Plan No.
				P000025 / E
Scale: 1:3	Drafted	Verified	Confirmed	
Date	20/03/2013	26/09/2017	26/09/2017	
Initials	SD	SD	PJ	



max vitaal
zorghulpmiddelen

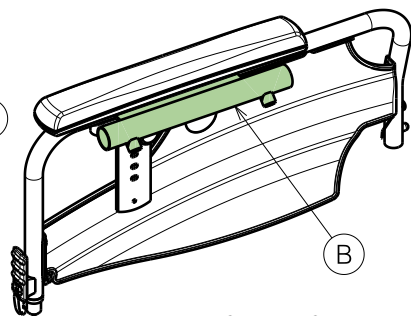
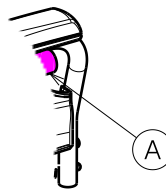
www.max-vitaal.nl



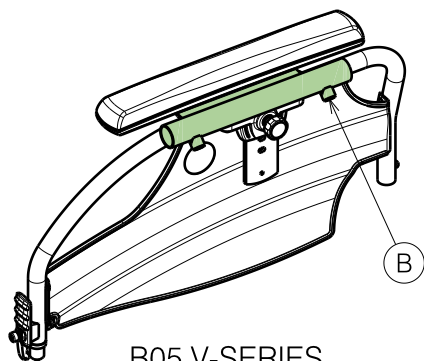
B02 V-SERIES



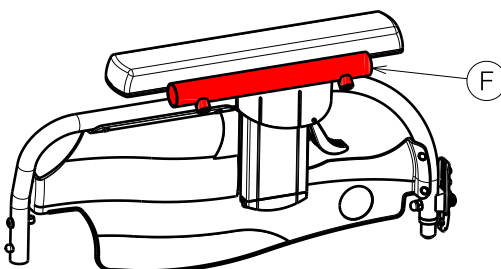
B03 V-SERIES



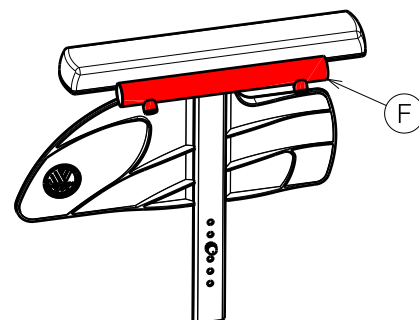
B04 V-SERIES



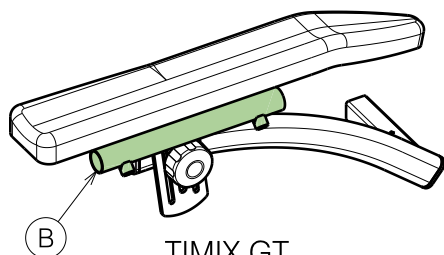
B05 V-SERIES



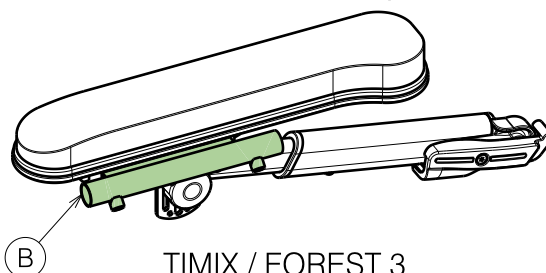
B04 V-SERIES 2016



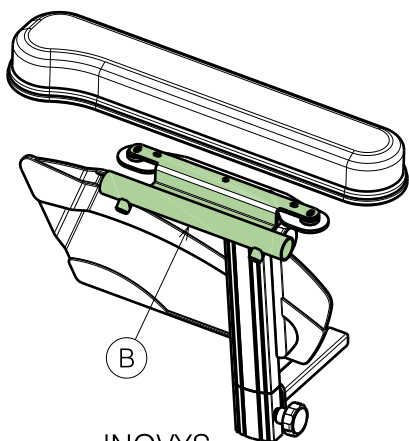
B15 V500



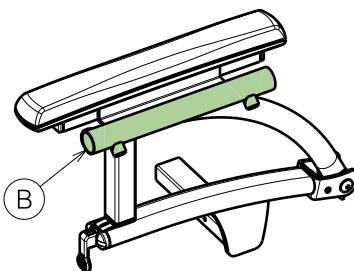
TIMIX GT



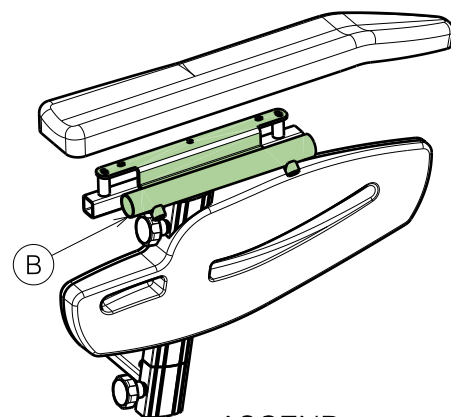
TIMIX / FOREST 3



INOVYS



NAVIX

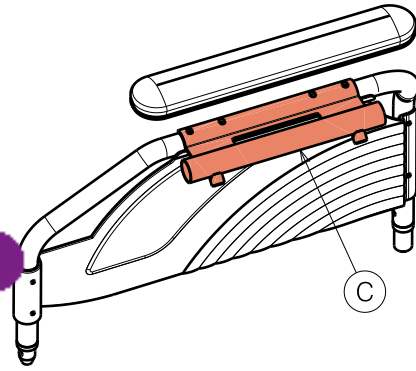


ASCEND

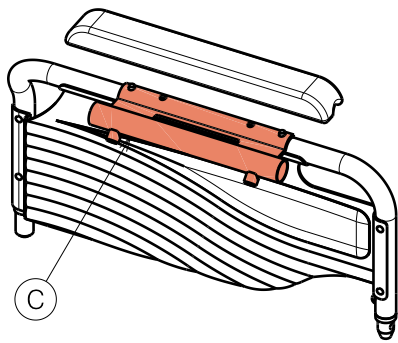
UNIVERSAL B13 2013				Plan No.
				P000025 / E
Scale: 1:8	Drafted	Verified	Confirmed	
Date	20/03/2013	26/09/2017	26/09/2017	
Initials	SD	SD	PJ	



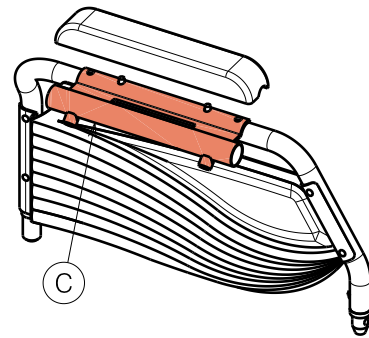
B02 708D



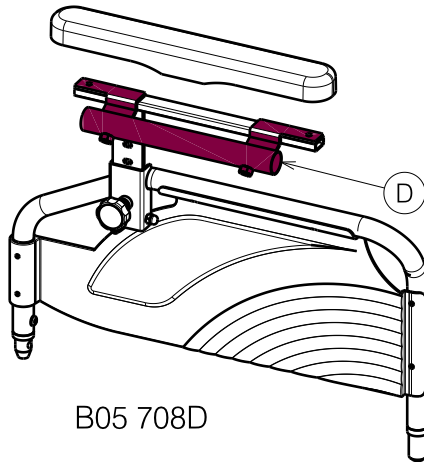
B03 708D



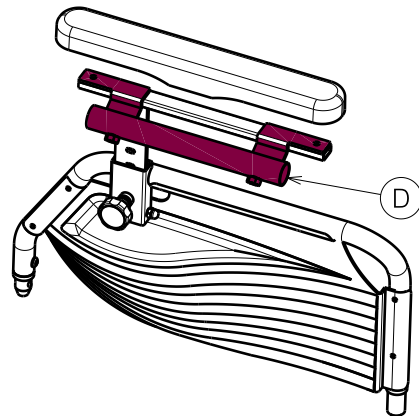
B02 ECLIPS / JAZZ



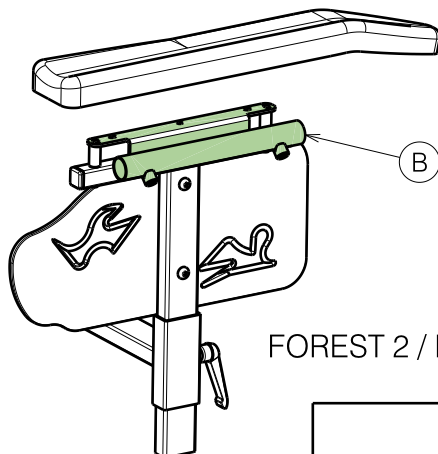
B03 ECLIPS / JAZZ



B05 708D



B05 ECLIPS / JAZZ



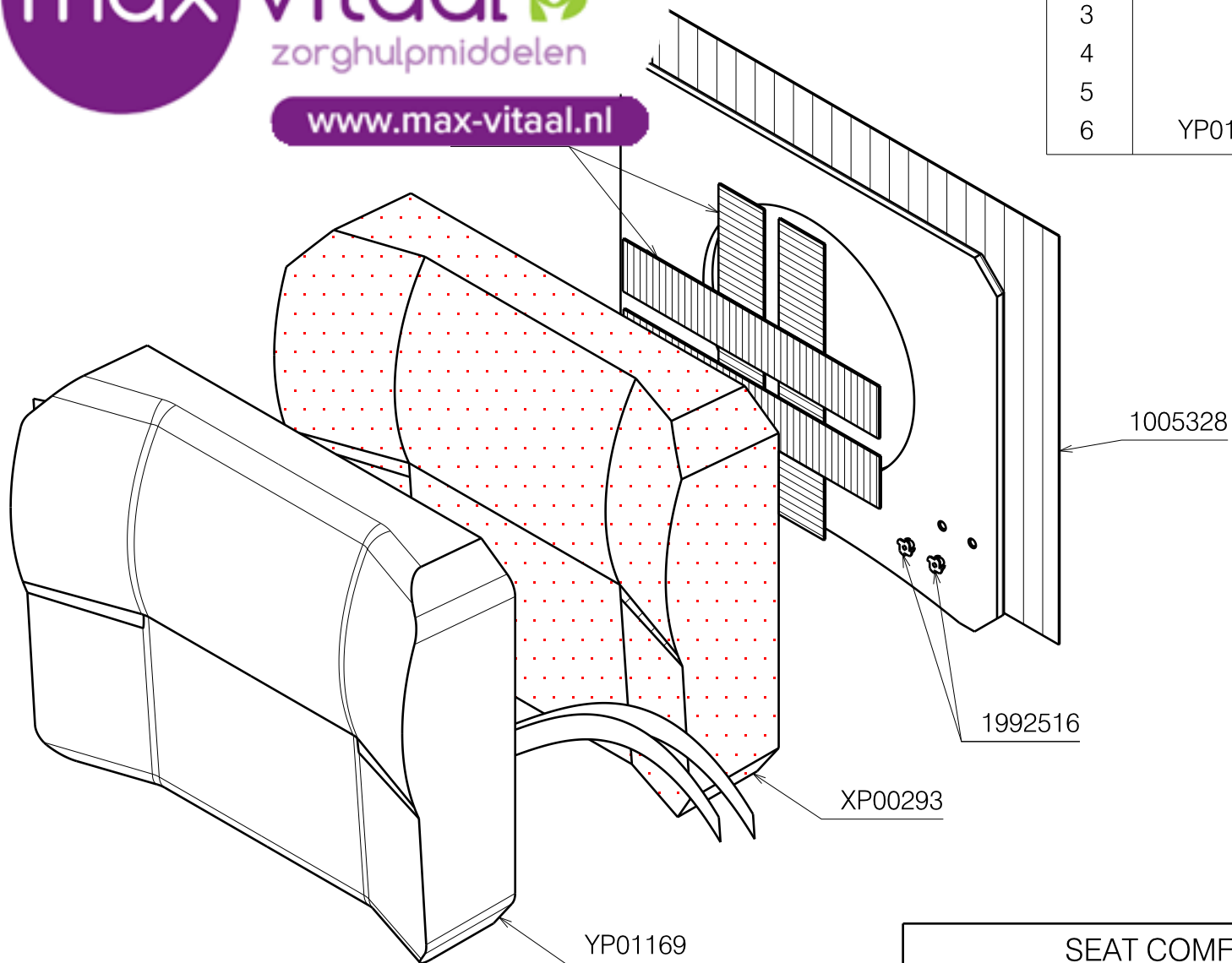
FOREST 2 / EXPRESS

UNIVERSAL B13 2013				Plan No.
				P000025 / E
Scale: 1:8	Drafted	Verified	Confirmed	
Date	12/03/2013	26/09/2017	26/09/2017	
Initials	SD	SD	PJ	



www.max-vitaal.nl

Material			
No. / Nr.	Plan / Rysunek	Article / Artykul	Number / Ilosc
1	XP00174	HP00054	1
2	XP00293	1998720	1
3		1005328	1
4		1992516	4
5		1998461	4
6	YP01169	FP00557	1



2990143

E000361 /A

SEAT COMFORT CHAIR SIEDZISKO FOTEL WYPOCZYNKOWY			Plan No. / Nr.rys.
			E000361 /A
Scale / Skala 1:5	Drafted / Rysowal	Verified / Sprawdzil	Confirmed / Zatweirdzil
Date / Data	23/04/2007	26/04/2007	26/04/2007
Init. / Inic.	BS	BS	TK

